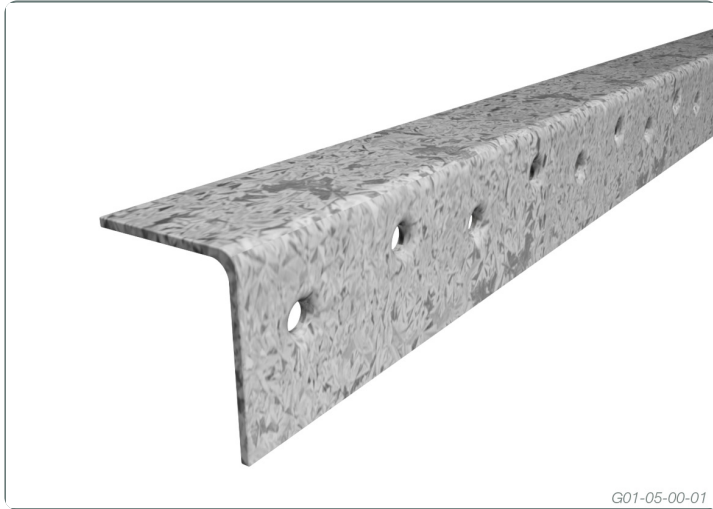


Wall Bracing



G01-05-00-01

Pre-punched and formed galvanised steel angle brace designed to brace timber wall frames in domestic constructions.

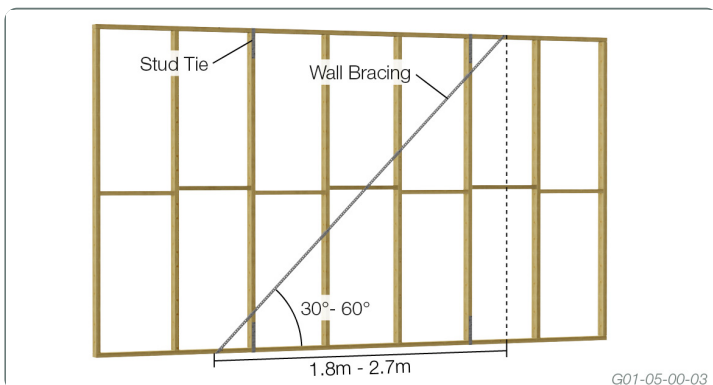
This pre-punched and formed galvanised steel brace is:
 Suitable for bracing wall frames in accordance with AS1684-2010.
 Effective as both a compression bracing system and tension bracing system.

APPLICATION

1. Position the Wall Bracing as specified by the frame drawings or code requirement
 2. Mark the saw cut position using the Wall Bracing edge as guide, making sure that the angle between top plate and Wall Bracing is approximately 45° (but no less than 30° and no greater than 60°).
 3. Cut the marked studs and plates to a depth of 18mm (no deeper than 20mm).
 4. Place the unpunched leg of the Wall Bracing into the saw cut, with the punched leg facing towards the bottom plate.
 5. Trim the Wall Bracing to the required length.
 6. Fix the Wall Bracing to each stud and each plate using 2/30 x 2.8mm Multinail nails.
 7. Fix the T-Plate, Stud Tie or Nail On Stud Tie as required (refer individual Multinail Product Brochures).
- Please use the relevant Standards to determine the number, location and tie down of bracing units. Bracing capacities stated are relevant for wall heights up to, and including, 2.7m. For wall heights greater than 2.7m, refer to AS1684-2010.

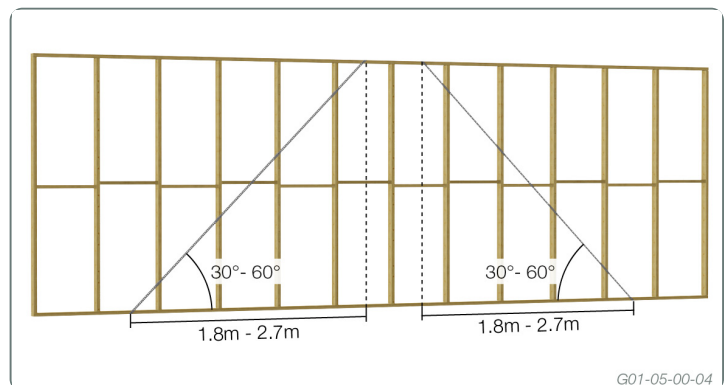
TYPICAL USE

1.5kN/m Bracing Capacity as per AS1684-2010
 Residential Timber-Framed Construction, Table 8.18(c)



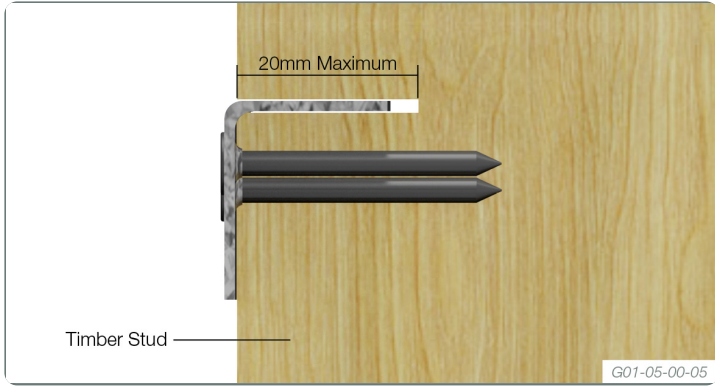
G01-05-00-03

0.8kN/m Bracing Capacity as per AS1684-2010
 Residential Timber-Framed Construction, Table 8.18(a)



G01-05-00-04

NOTCHING

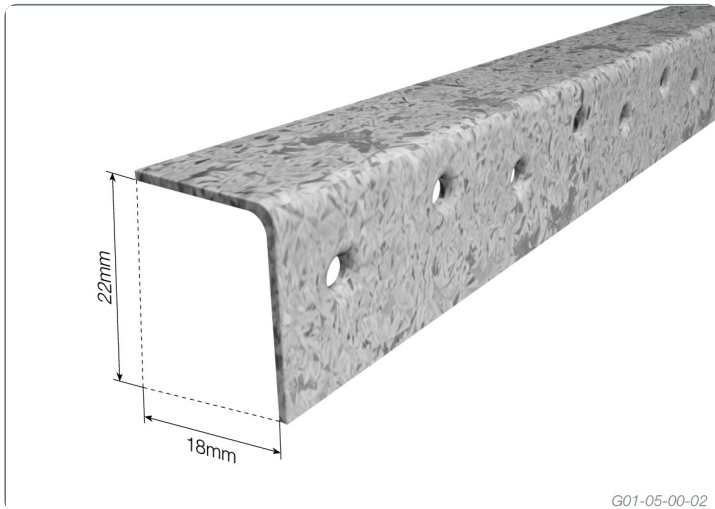


The maximum depth of a notch or saw-cut shall NOT exceed 20mm.

DESCRIPTION AND PACKAGING

Manufactured from 22 x 18 x 1.2mm Galvanised G300 Z275 Steel

Description	Product Code	Reference Code	Quantity	Kg.
3.0m	TA068	WB3000	10	10.5
3.05m	TA069	WB3050	10	10.5
3.3m	TA070	WB3300	10	11.9
3.6m	TA072	WB3600	10	12.9
3.9m	TA065	WB3900	10	13.6
4.2m	TA074	WB4200	10	15.0
4.8m	TA075	WB4800	10	16.8
30mm x 2.8Ø Multinail Nails (TA302)				



Due to continual product improvement Multinail Australia Pty Ltd. reserves the right to change the product/s depicted - both in description and specification. This document has to be read in conjunction with Multinail's Technical Manual.