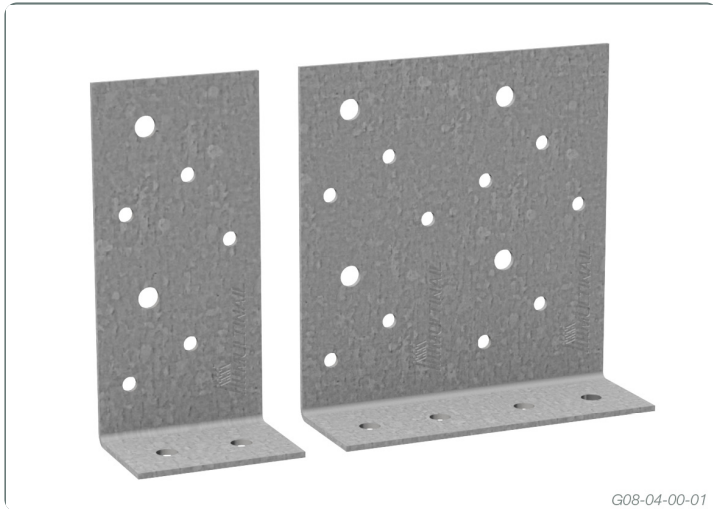


Purlin Cleat



Multi use connecting ancillary used to tie down in timber roof and wall framing

Pre-punched and formed galvanised steel timber connectors ideal for:

Tying down trusses with a partial concealed connection.

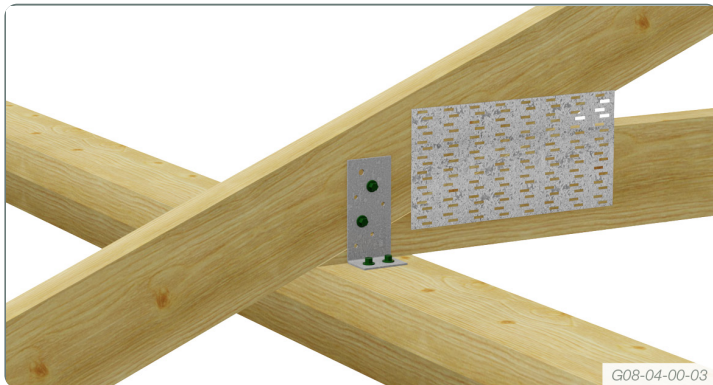
Suitable for connecting studs to wall plates.

APPLICATION

40mm-Purlin Cleat should be fixed with: 2/35mm Green Tip screws at top flange 2/35mm Green Tip screws at bottom flange

80mm-Purlin Cleat should be fixed with: 4/35mm Green Tip screws at top flange 4/35mm Green Tip screws at bottom flange

Note: For double top plates use 65mm screws.



Truss to top plate



Stud to bottom plate

LIMIT STATE DESIGN LOAD

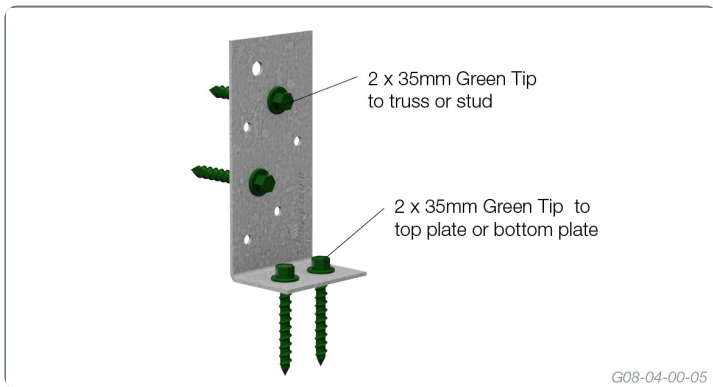
| Joint Group | Tie down capacity (kN) per Purlin Cleat | |
|-------------|---|-------------------|
| | 40mm Purlin Cleat | 80mm Purlin Cleat |
| JD3 | 5.6 | 9.5 |
| JD4 | 4.2 | 7.1 |
| JD5 | 3.4 | 5.7 |

*Values in the table are for ONE 40mm or 80mm Purlin Cleat only

NOTES: The capacities are derived from AS1720-2010 and are for uplift in houses where failure is unlikely to affect an area greater than 25m². For primary elements in structures other than houses or elements in a house for which failure would be greater than 25m² these capacities must be multiplied by 0.94. For primary joints in essential services or post disaster buildings multiply by 0.88.

For 2/Purlin Cleats the above values can be doubled.

FIXING

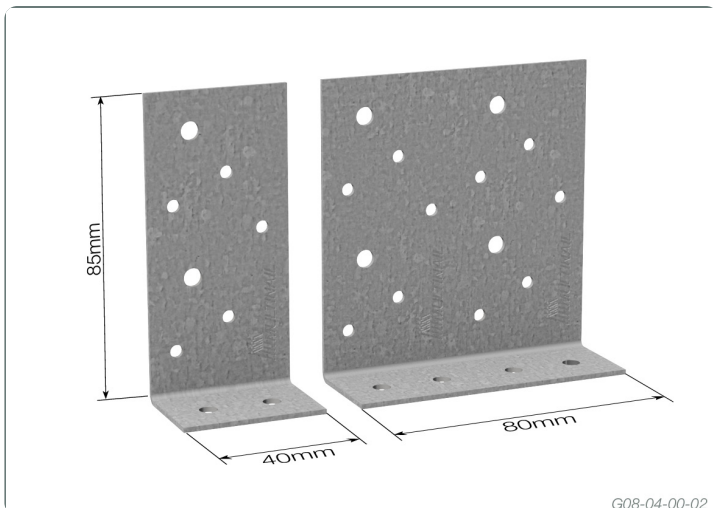


DESCRIPTION AND PACKAGING

Manufactured from 1.5mm Galvanised G300 Z275 Steel

| Description | Product Code | Reference Code | Carton quantity | Carton kg. |
|--------------|--------------|----------------|-----------------|------------|
| Purlin Cleat | PC40 | PC40 | 300 | 15.1 |
| Purlin Cleat | PC80 | PC80 | 150 | 15.1 |

35mm Green Tip #12 Screw (TA221)



Due to continual product improvement Multinail Australia Pty Ltd. reserves the right to change the product/s depicted - both in description and specification.
This document has to be read in conjunction with Multinail's Technical Manual.